

# SERVICE MANUAL

**SPLIT TYPE  
ROOM AIR CONDITIONER**

Models	Indoor unit	Outdoor unit
	<b>AWY14UBBJ</b>	<b>AOY14USBJ</b>

**CEILING WALL** type



## CONTENTS

SPECIFICATIONS .....	1
OUTLINE AND DIMENSIONS .....	2
REFRIGERANT SYSTEM DIAGRAM .....	3
ERROR CONTENTS .....	4
CIRCUIT DIAGRAM .....	5
INDOOR PRINTED CIRCUIT BOARD CIRCUIT DIAGRAM .....	6
DISASSEMBLY ILLUSTRATION .....	7
PARTS LIST .....	21

FUJITSU GENERAL LIMITED



Большая библиотека технической документации

<https://splitsystema48.ru/instrukcii-po-ekspluatácii-kondicionerov.html>

каталоги, инструкции, сервисные мануалы, схемы.

# S P E C I F I C A T I O N S

<b>TYPE</b>	COOL & HEAT	
<b>INDOOR UNIT</b>	AWY14UBBJ	
<b>OUTDOOR UNIT</b>	AOY14USBJ	
<b>COOLING CAPACITY</b> (kW)	4.20	
<b>HEATING CAPACITY</b> (kW)	4.60	

## ELECTRICAL DATA

<b>POWER SOURCE</b> (V)	230	
<b>FREQUENCY</b> (Hz)	50	
<b>RUNNING CURRENT</b> (A)	COOLING	6.5
	HEATING	5.7
<b>INPUT WATTS</b> (kW)	COOLING	1.45
	HEATING	1.28
<b>E.E.R.</b> (kW/kW)	COOLING	2.90
	HEATING	3.59
<b>MOISTURE REMOVAL</b> (ℓ/hr)	1.6	
<b>AIR CIRCULATION-Hi</b> (m <sup>3</sup> /hr)	650	

## COMPRESSOR

<b>TYPE</b>	Hermetic type, Deposit electrode condenser, 2 poles, Single phase, Induction motor, Rotary	
<b>DISCRIMINATION</b>	80236035B	
<b>REFRIGERANT</b> R410A (g)	1,150	

## FAN MOTOR

<b>POWER SOURCE</b> (V)	230	
<b>INDOOR UNIT</b>	DISCRIMINATION	MFD-30HO
	HI-SPEED (r.p.m.)	1,000
	MED-SPEED (r.p.m.)	910
	LO-SPEED (r.p.m.)	820
<b>OUTDOOR UNIT</b>	DISCRIMINATION	MFB-14NTT
	HI-SPEED (r.p.m.)	750

## DIMENSIONS

<b>INDOOR UNIT</b>	H x W x D (mm)	270 x 1,150 x 285
<b>OUTDOOR UNIT</b>	H x W x D (mm)	530 x 750 x 250

## WEIGHT

<b>INDOOR UNIT</b>	GROSS / NET (kg)	20 / 16
<b>OUTDOOR UNIT</b>	GROSS / NET (kg)	37 / 35

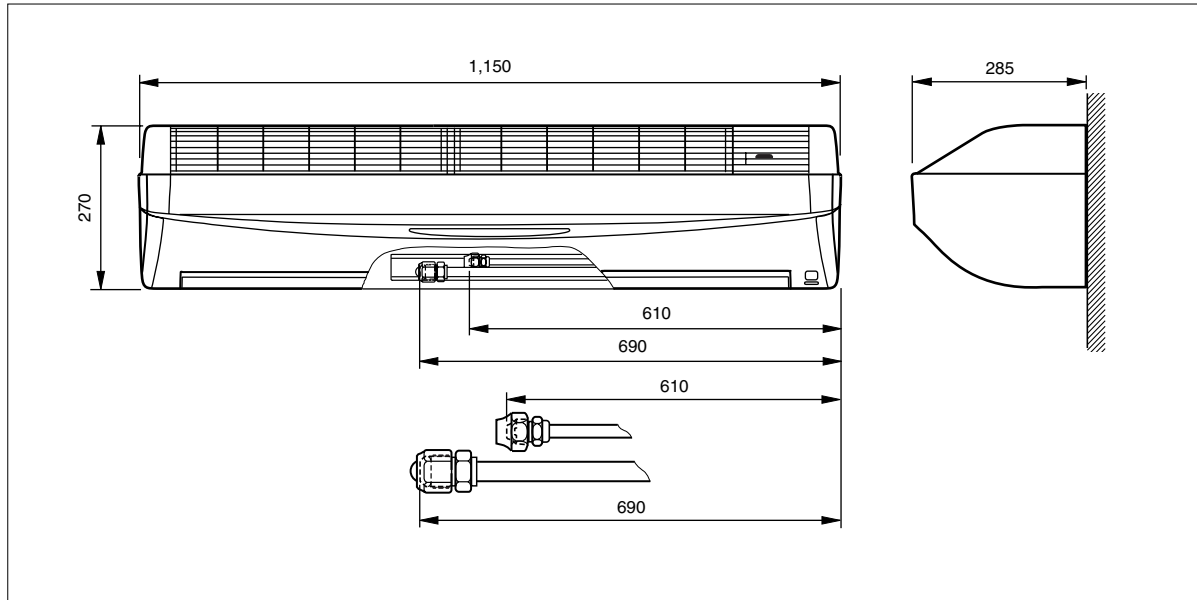
## REFRIGERANT CHARGE (R410A)

<b>PIPE LENGTH</b>	7.5 m (25 ft)	10 m (33 ft)	15 m (49 ft)	Additional refrigerant
<b>FULL CHARGE AMOUNT</b>	1,150 g (40.6 oz)	1,187 g (41.9 oz)	1,262 g (44.5 oz)	15 g (0.53 oz) / 1 m (3.3 ft) (over 7.5 m)

# OUTLINE AND DIMENSIONS

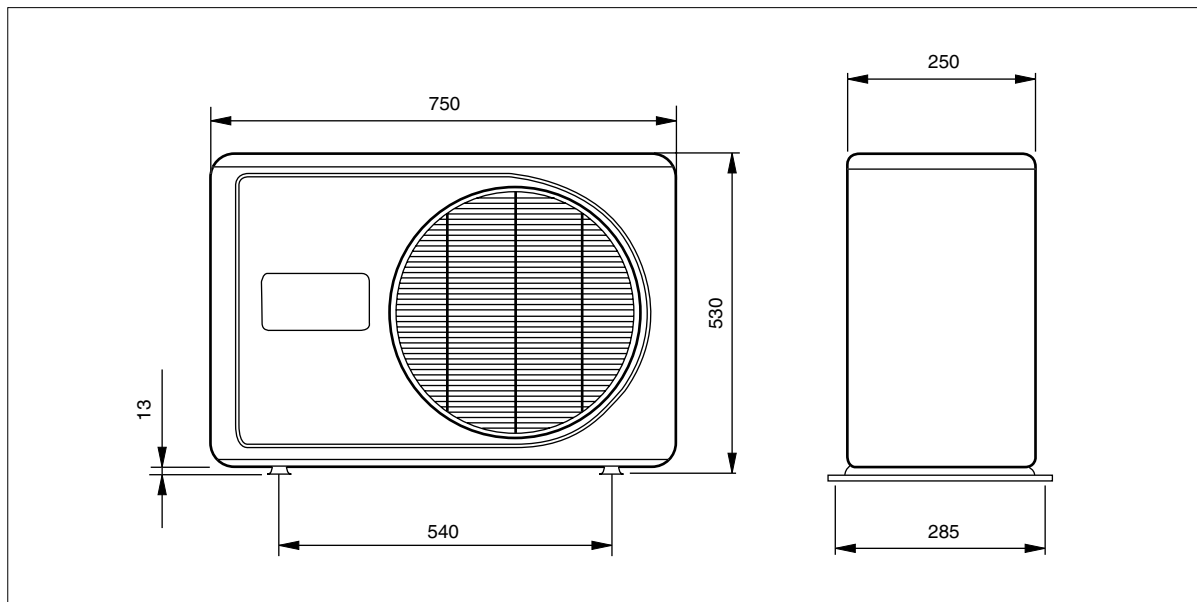
**Model : AWY14UBBJ**

Unit : mm



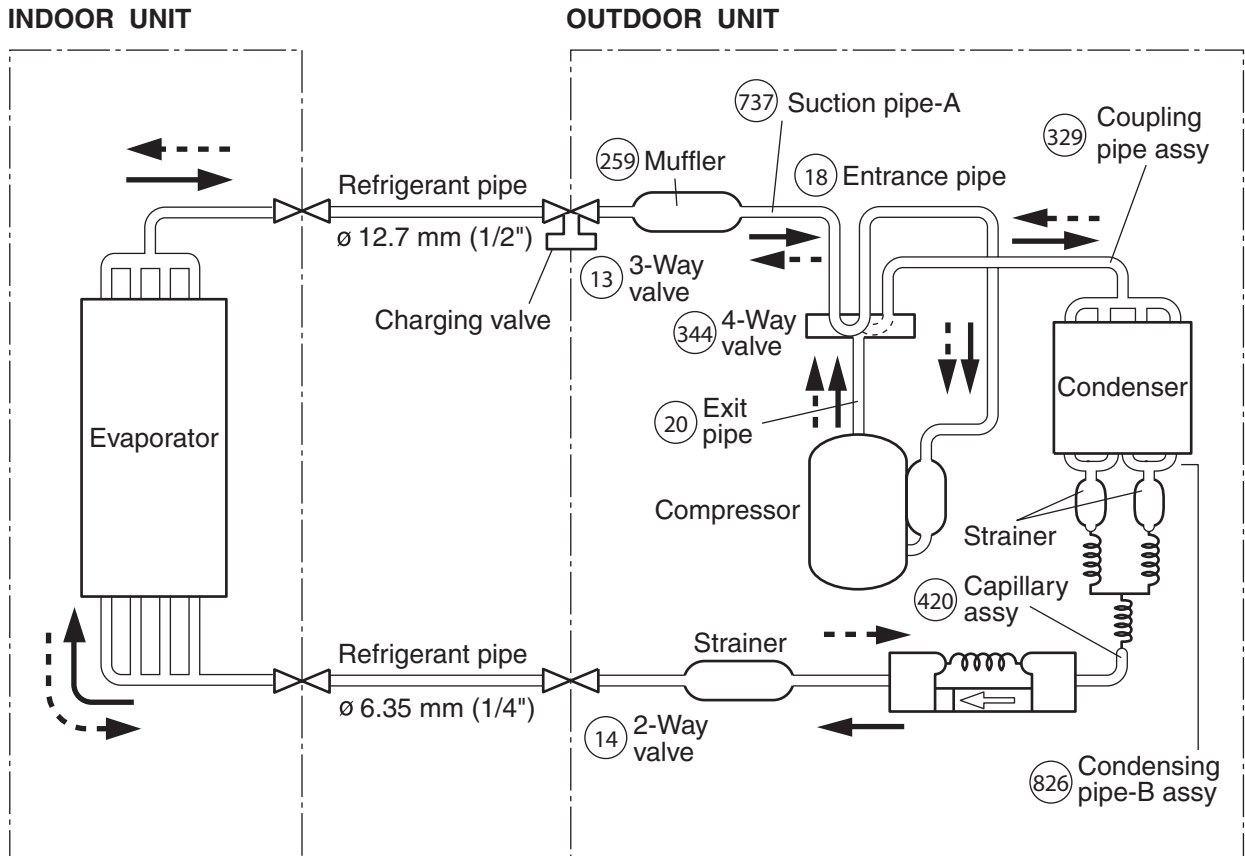
**Model : AOY14USBJ**

Unit : mm



# REFRIGERANT SYSTEM DIAGRAM

Models : AWY14UBBJ / AOY14USBJ



: Cooling     
  : Heating     
  : Flare coupling

# ERROR CONTENTS

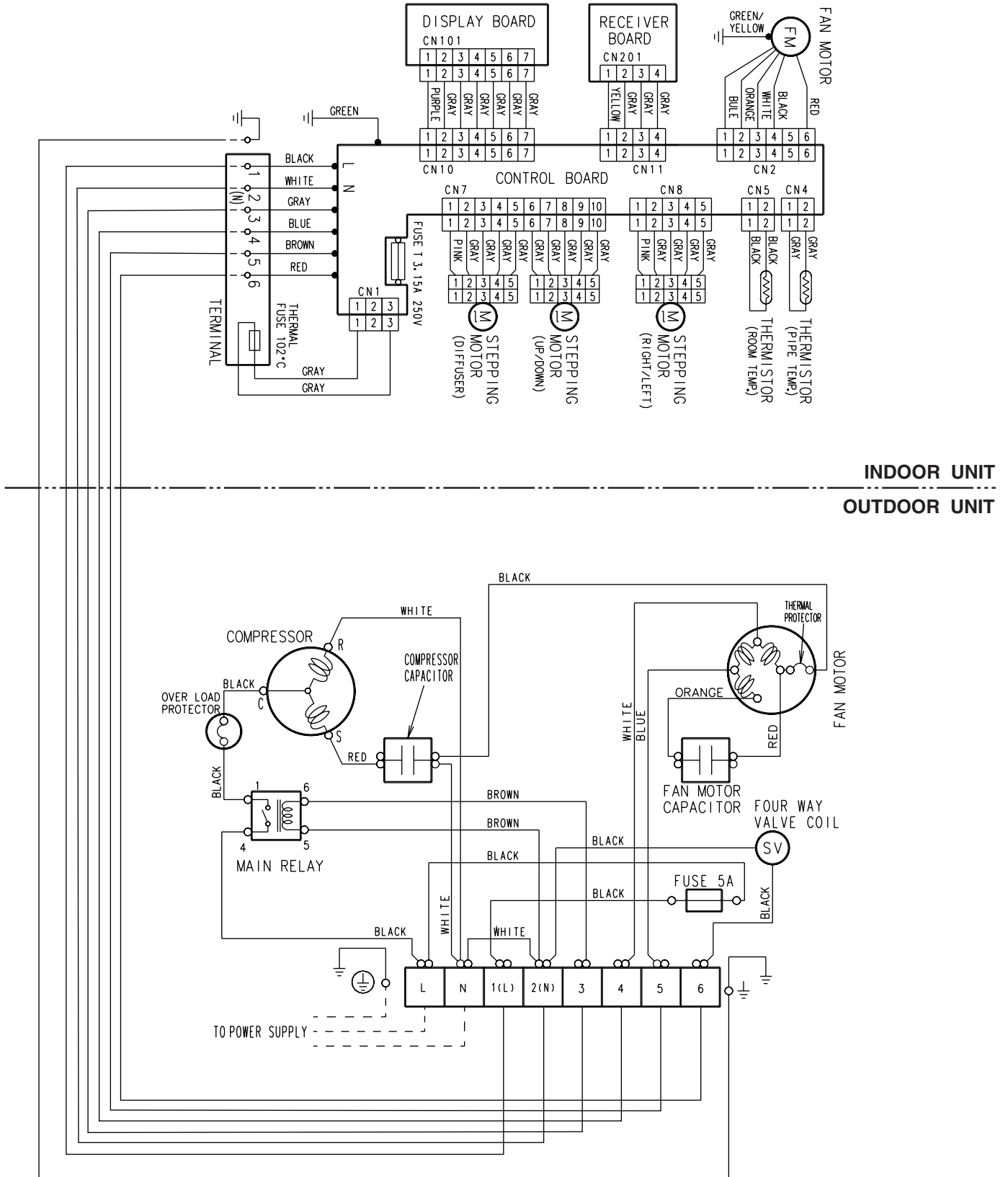
The OPERATION, TIMER and SWING lamps operate as follows according to the error contents.

○ : Fast flashing      ● : Slow flashing      – : Off

Error contents	Error display		
	OPERATION (RED)	TIMER (YELLOW)	SWING (ORANGE)
Indoor unit circuit board error	○	○	–
Indoor unit room temperature sensor wire opened	2 times ●	○	–
Indoor unit room temperature sensor wire short circuited	2 times ●	○	○
Indoor unit piping sensor wire opened	3 times ●	○	–
Indoor unit piping sensor wire short circuited	3 times ●	○	○
Indoor unit fan error	6 times ●	○	–

# CIRCUIT DIAGRAM

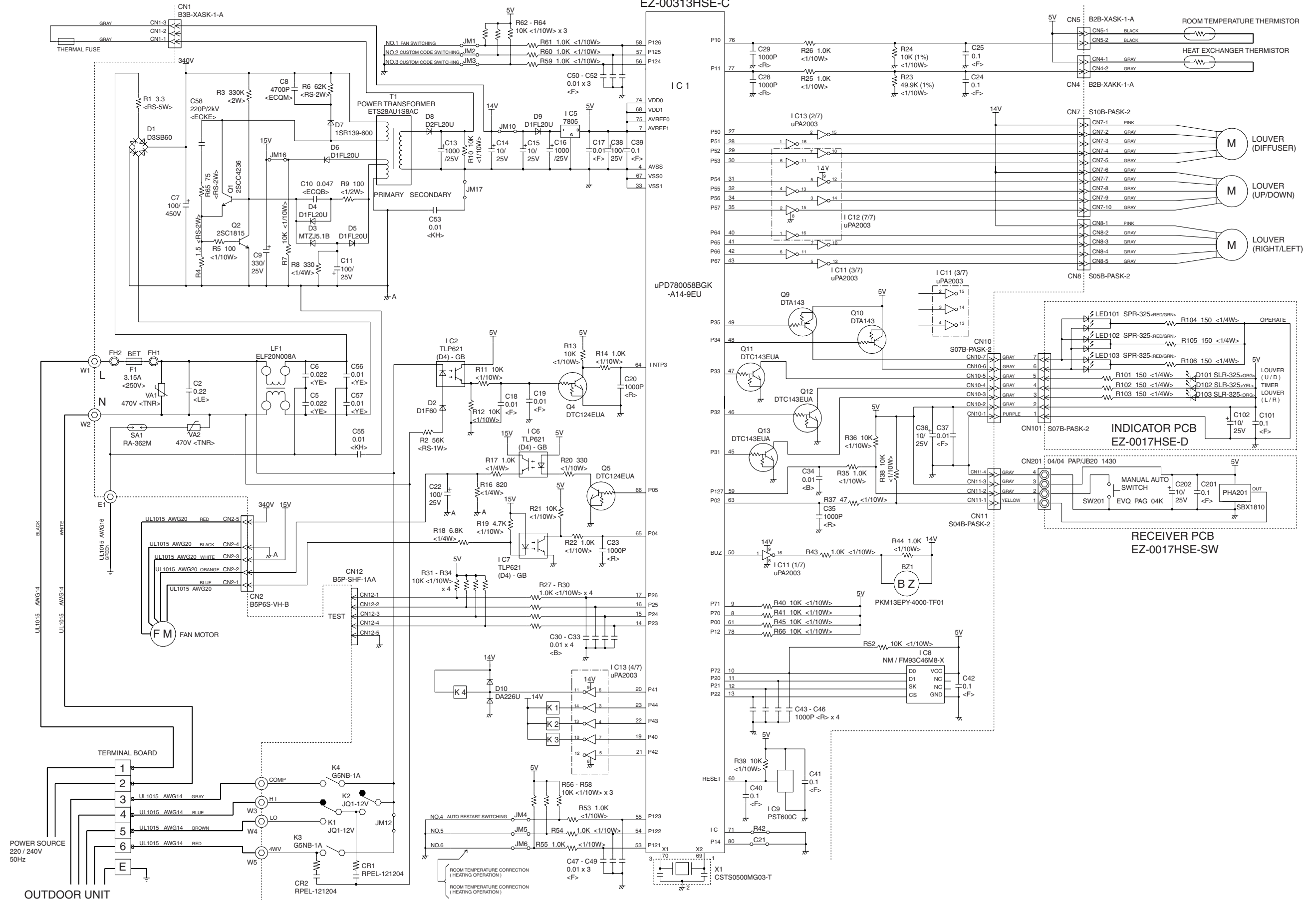
Models : AWY14UBBJ / AOY14USBJ



# INDDOOR PRINTED CIRCUIT BOARD CIRCUIT DIAGRAM

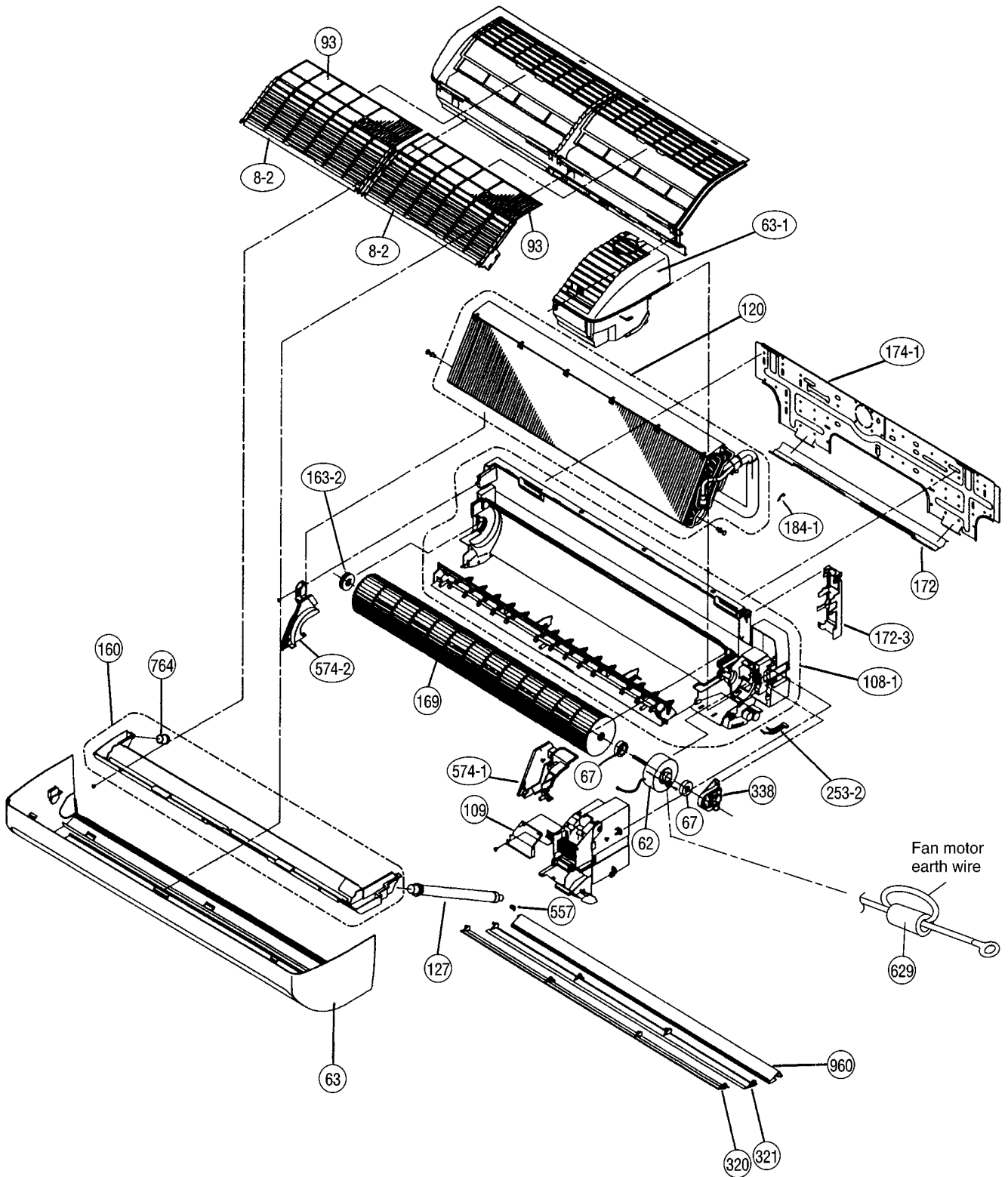
Model : AWY14UBBJ

CONTROLLER PCB ASSEMBLY ( MAIN PCB )  
EZ-00313HSE-C

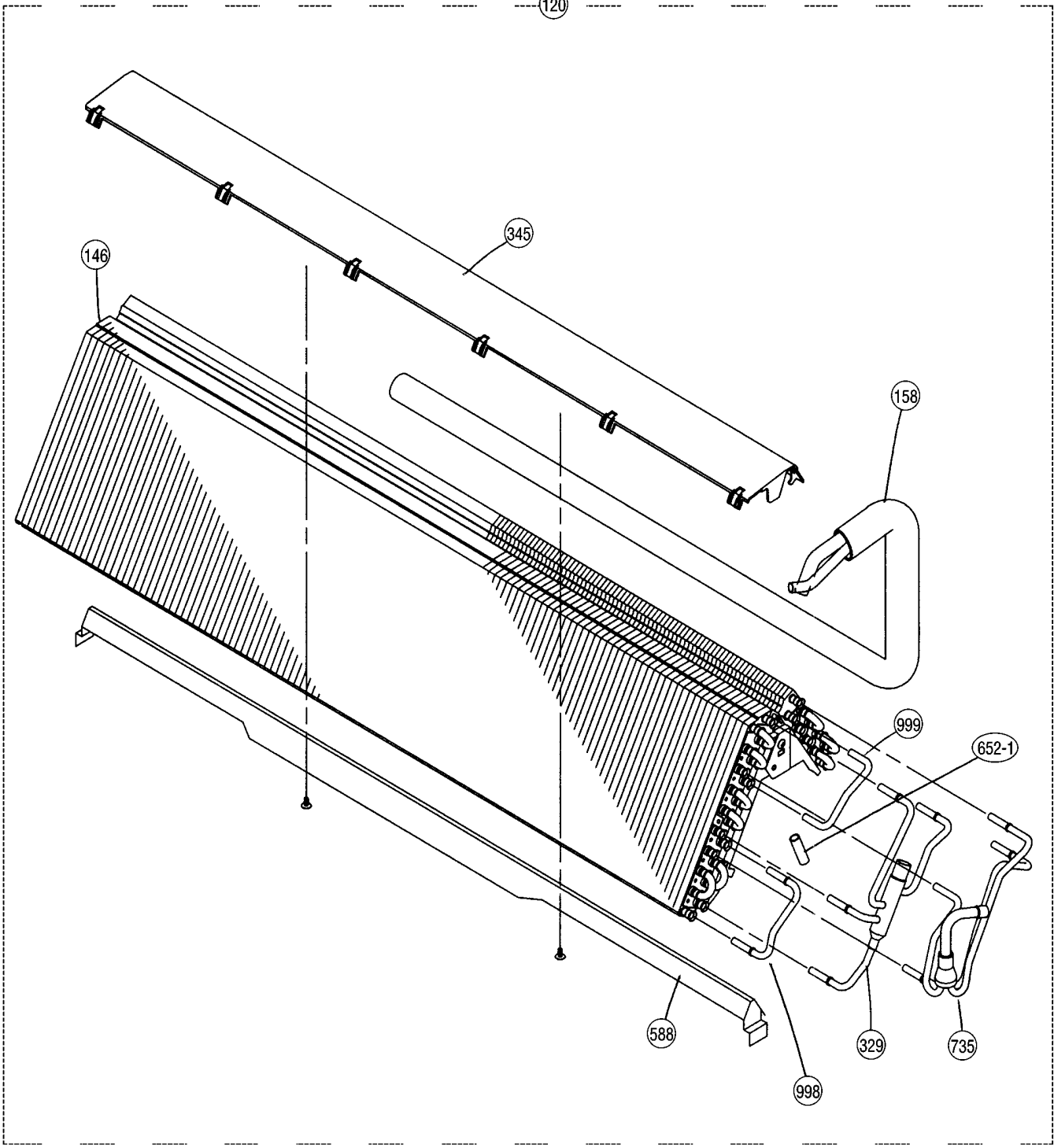


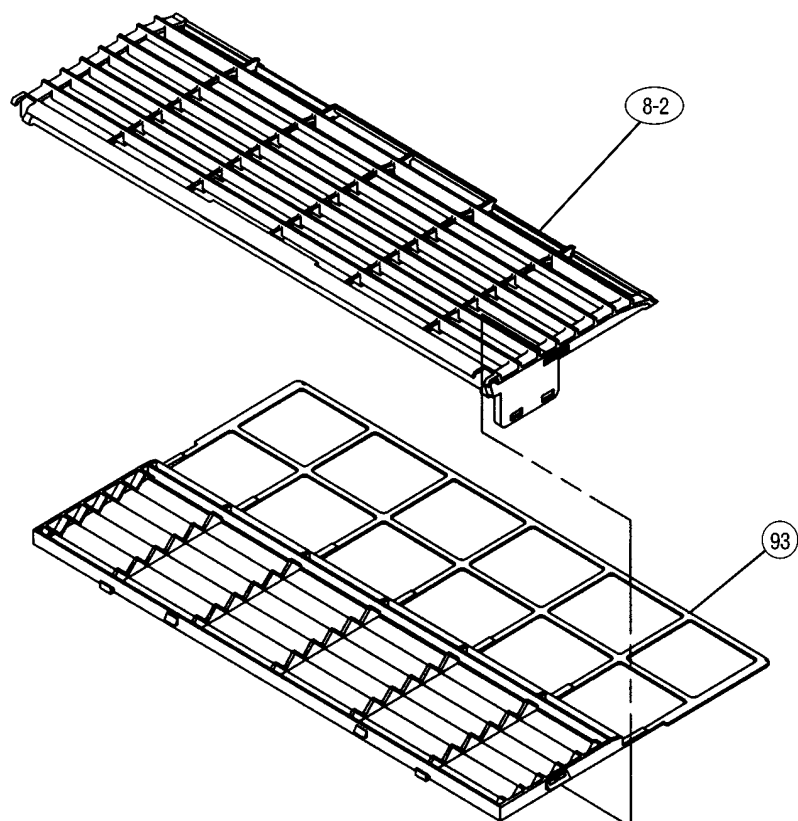
Все каталоги и инструкции здесь:

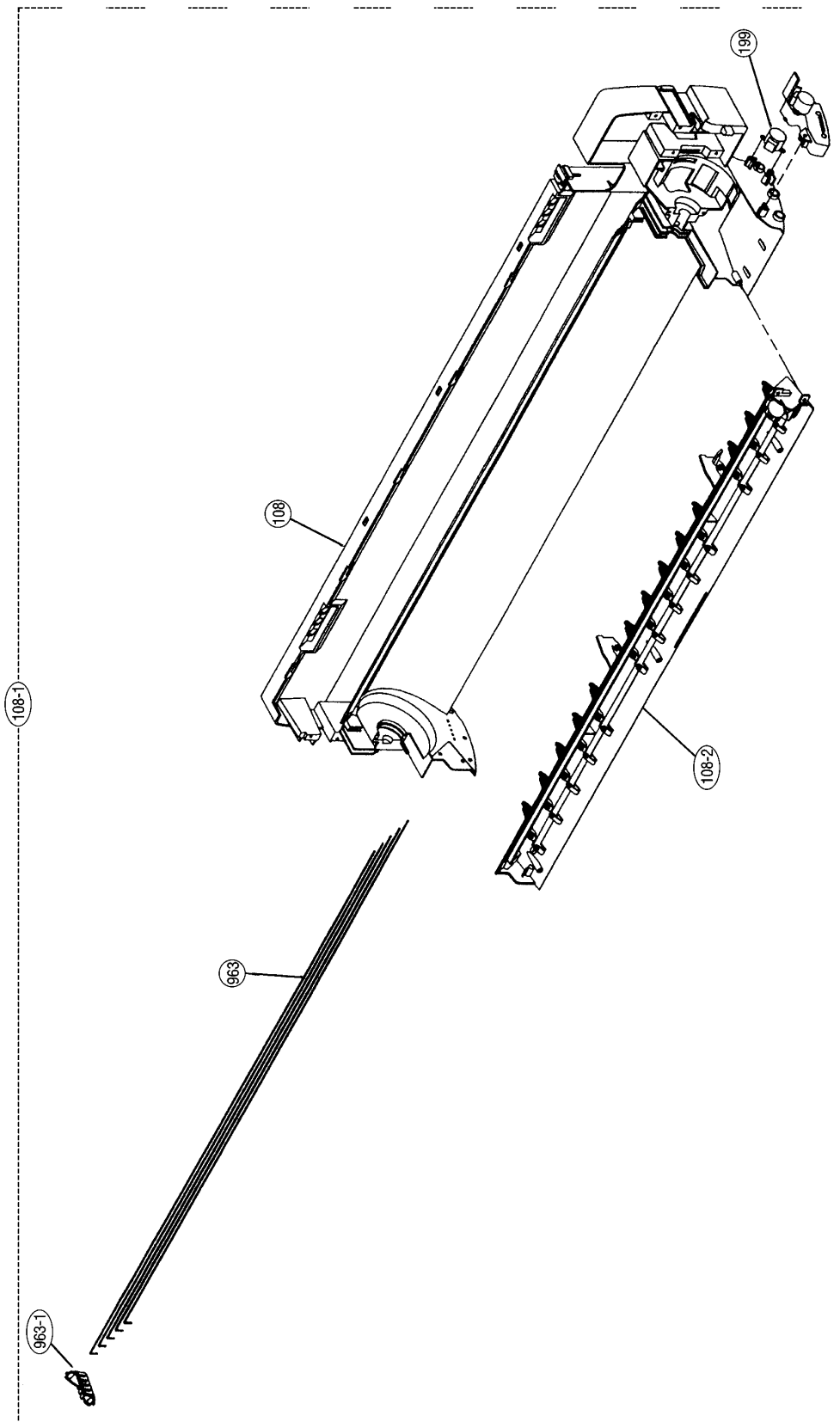
# DISASSEMBLY ILLUSTRATION

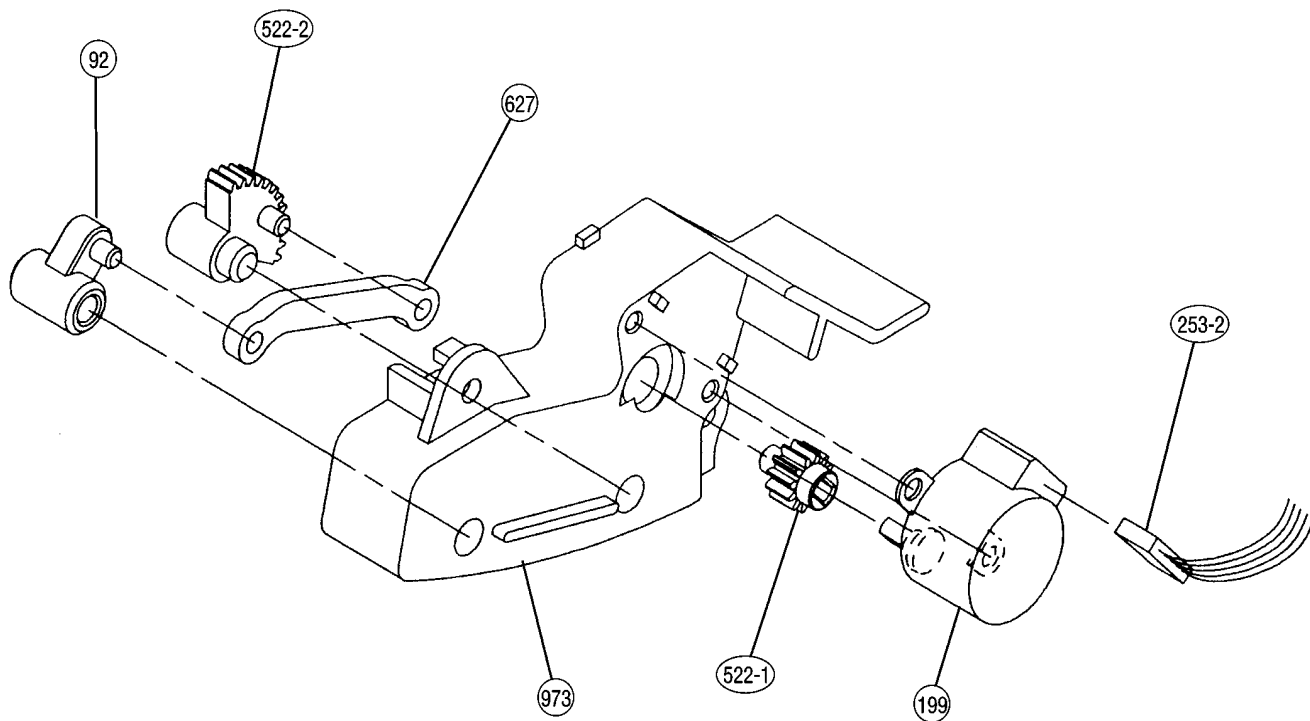




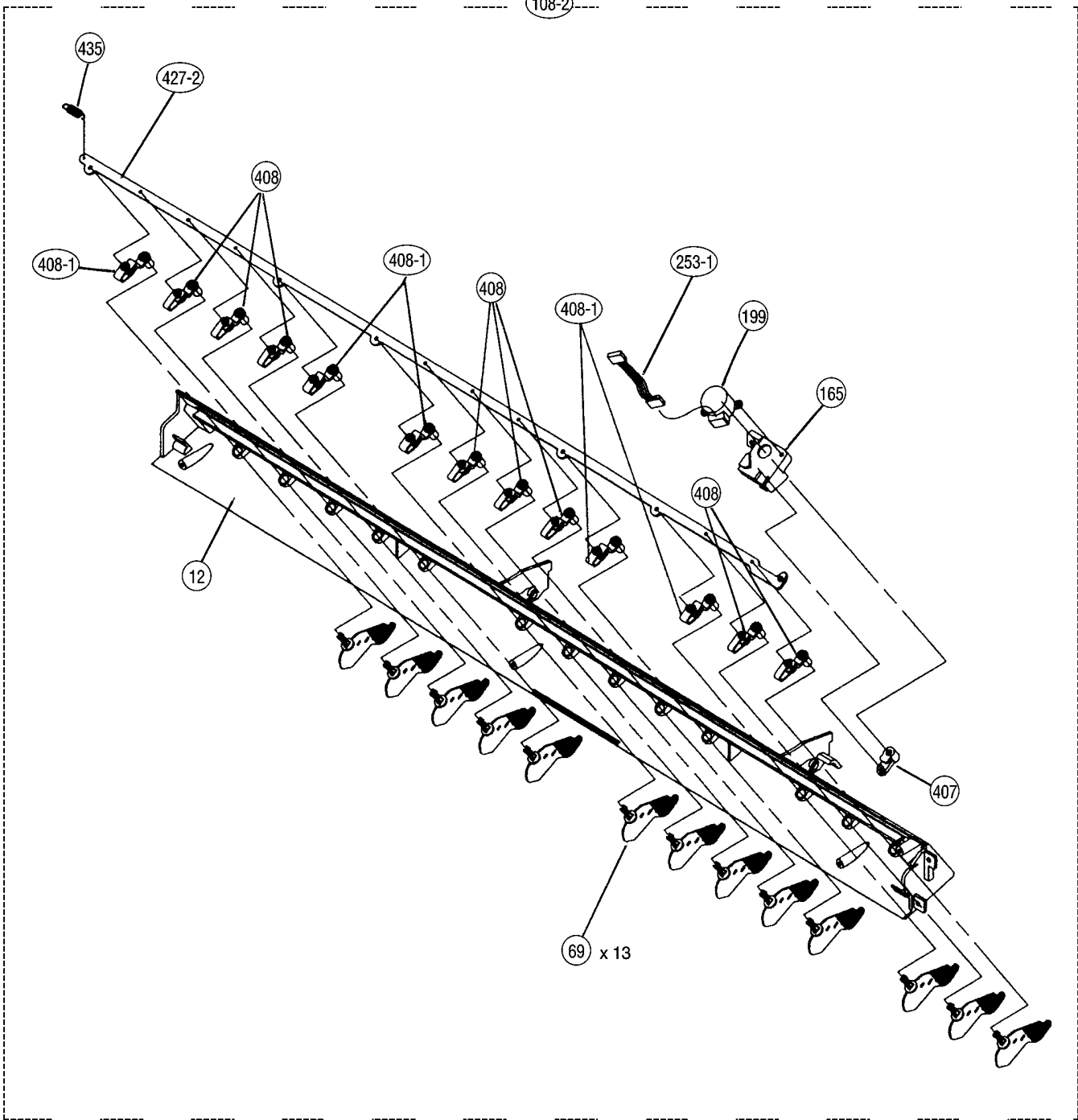


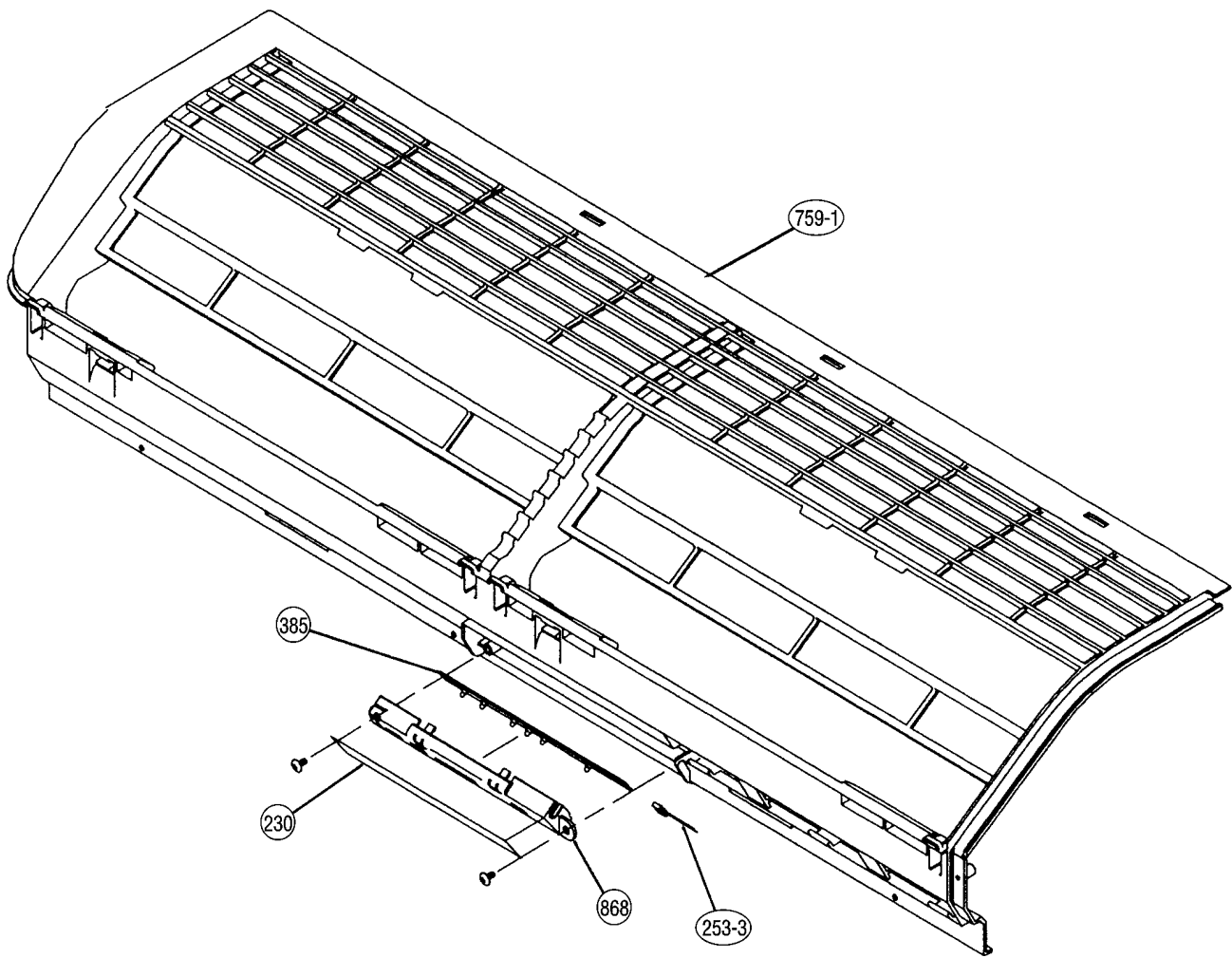


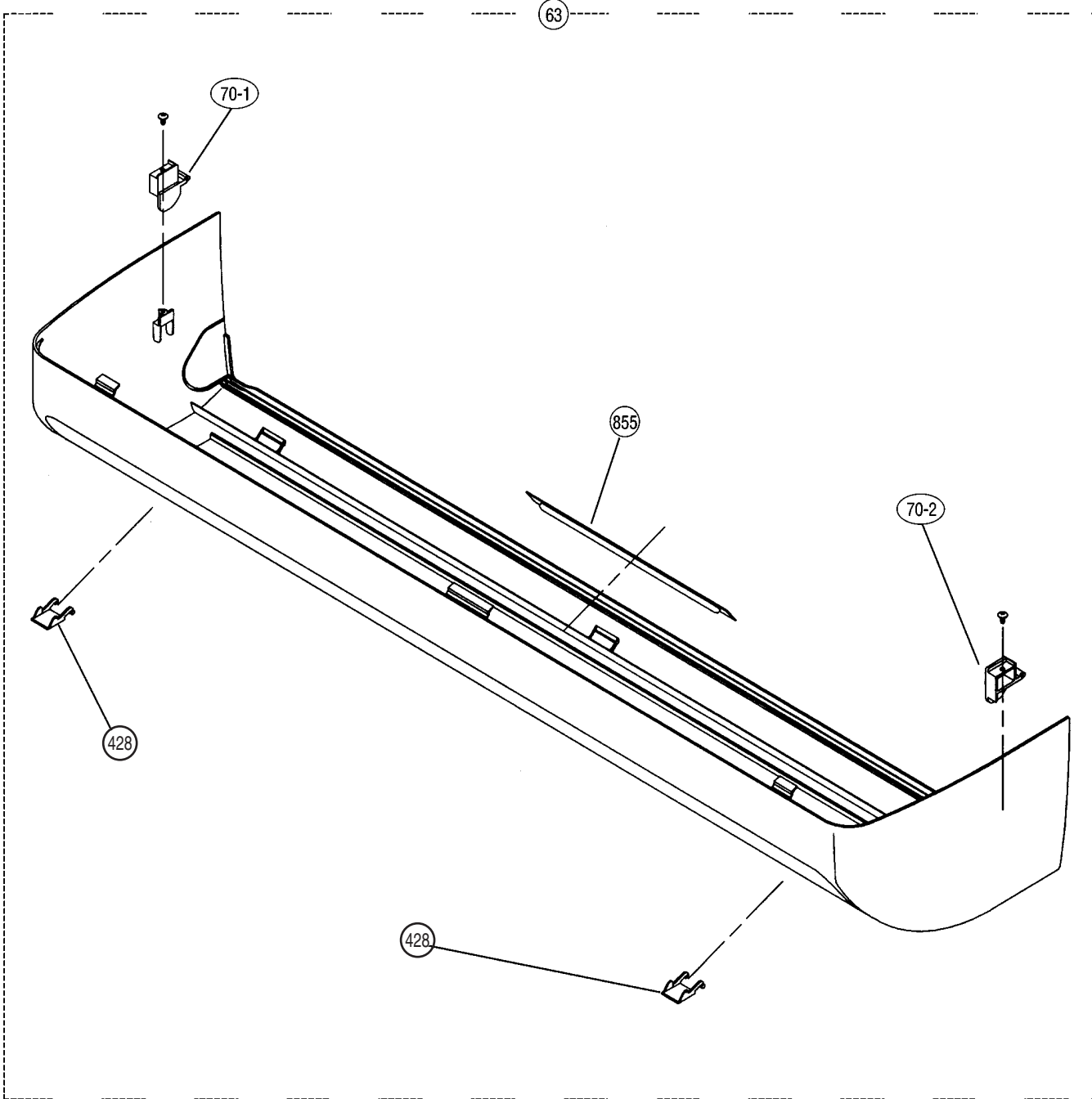


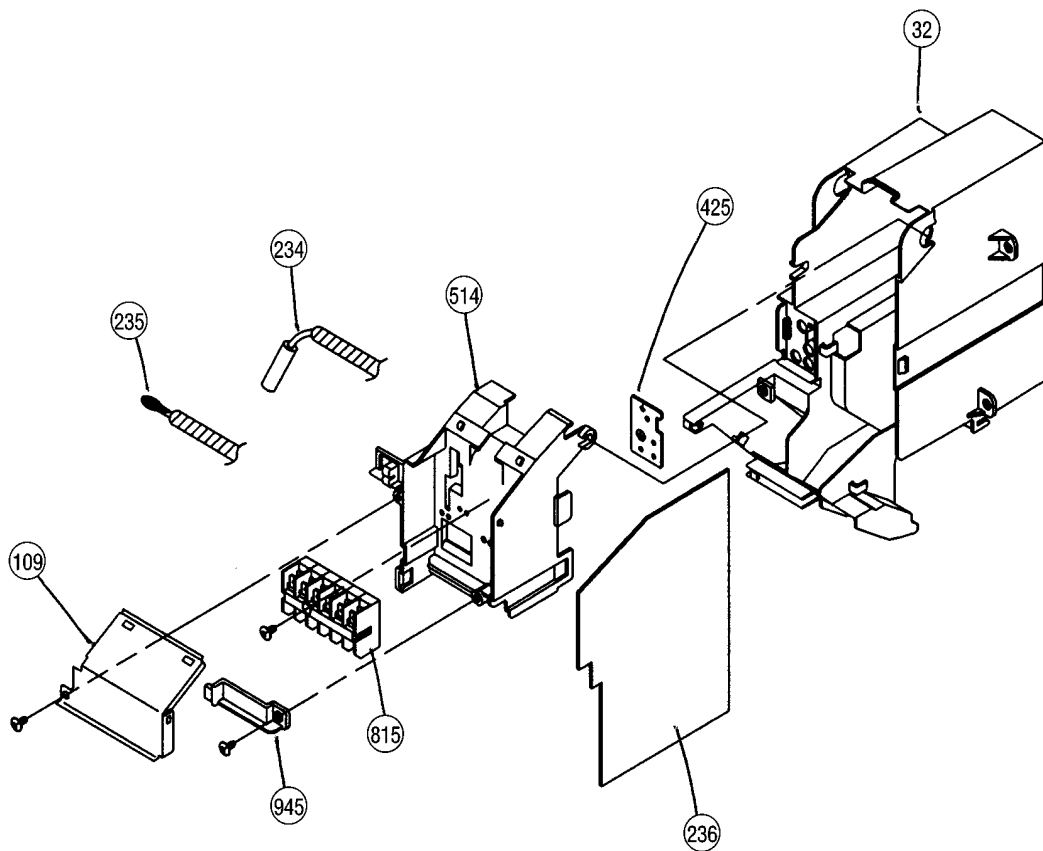


108-2



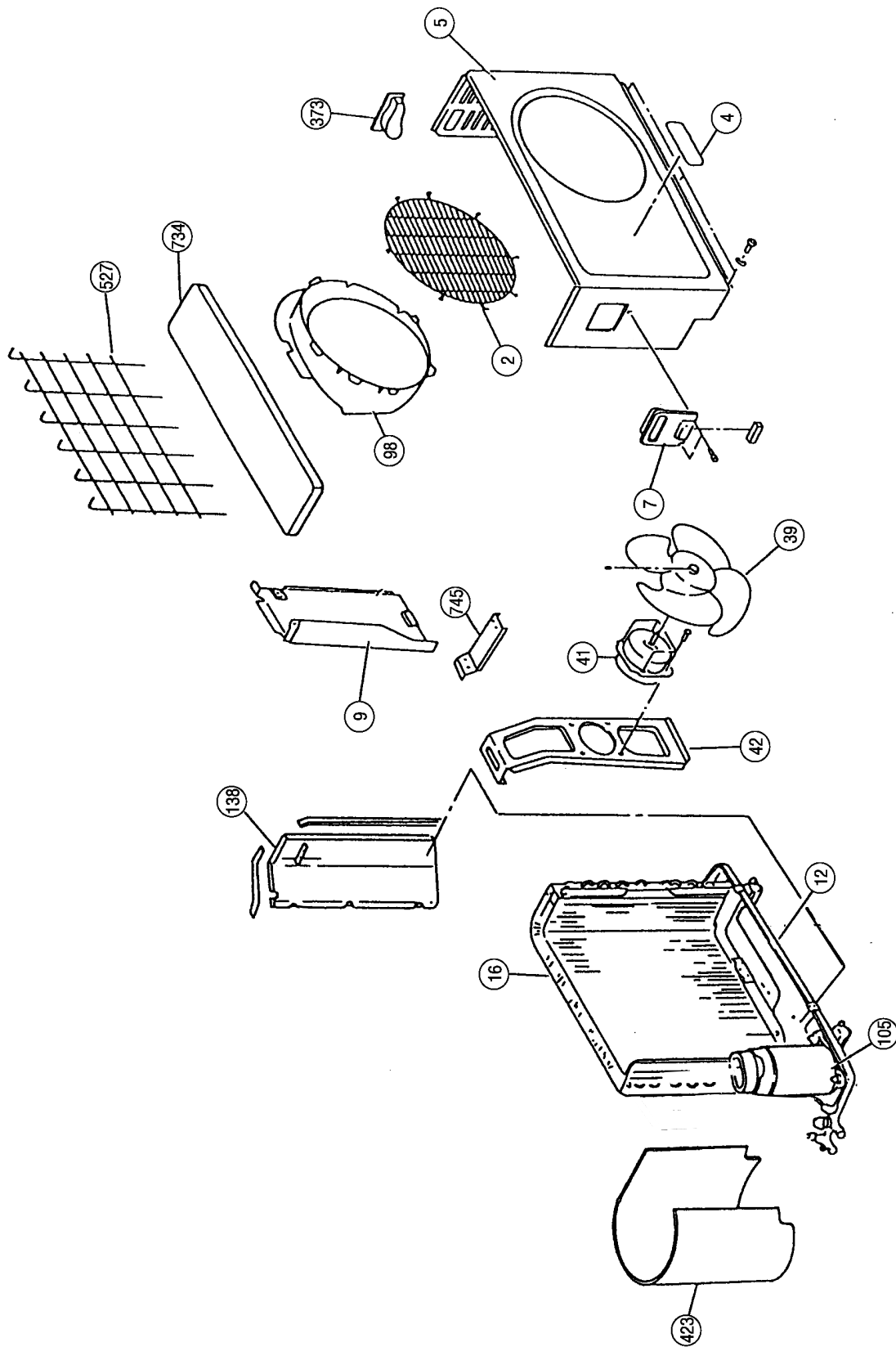


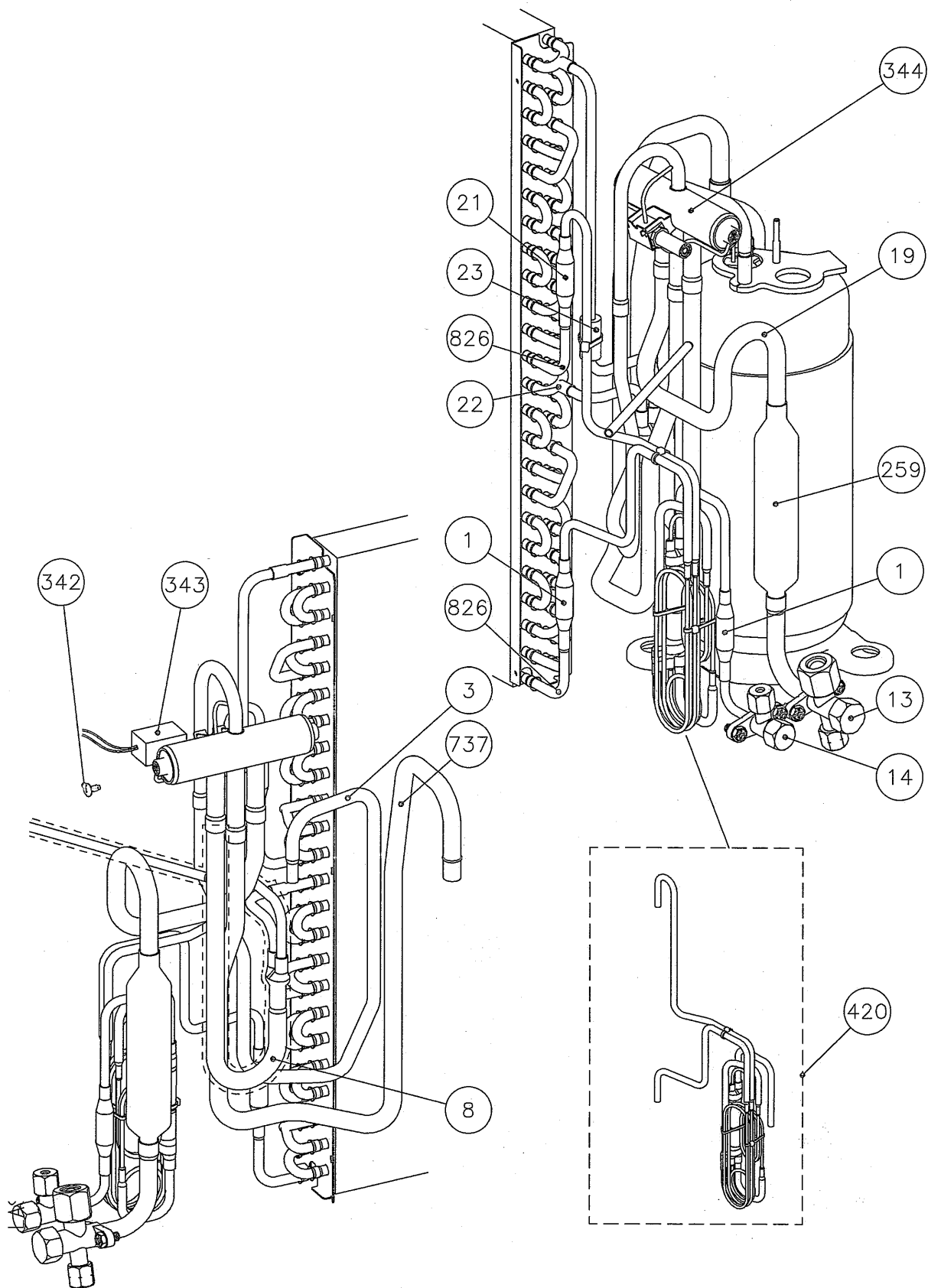


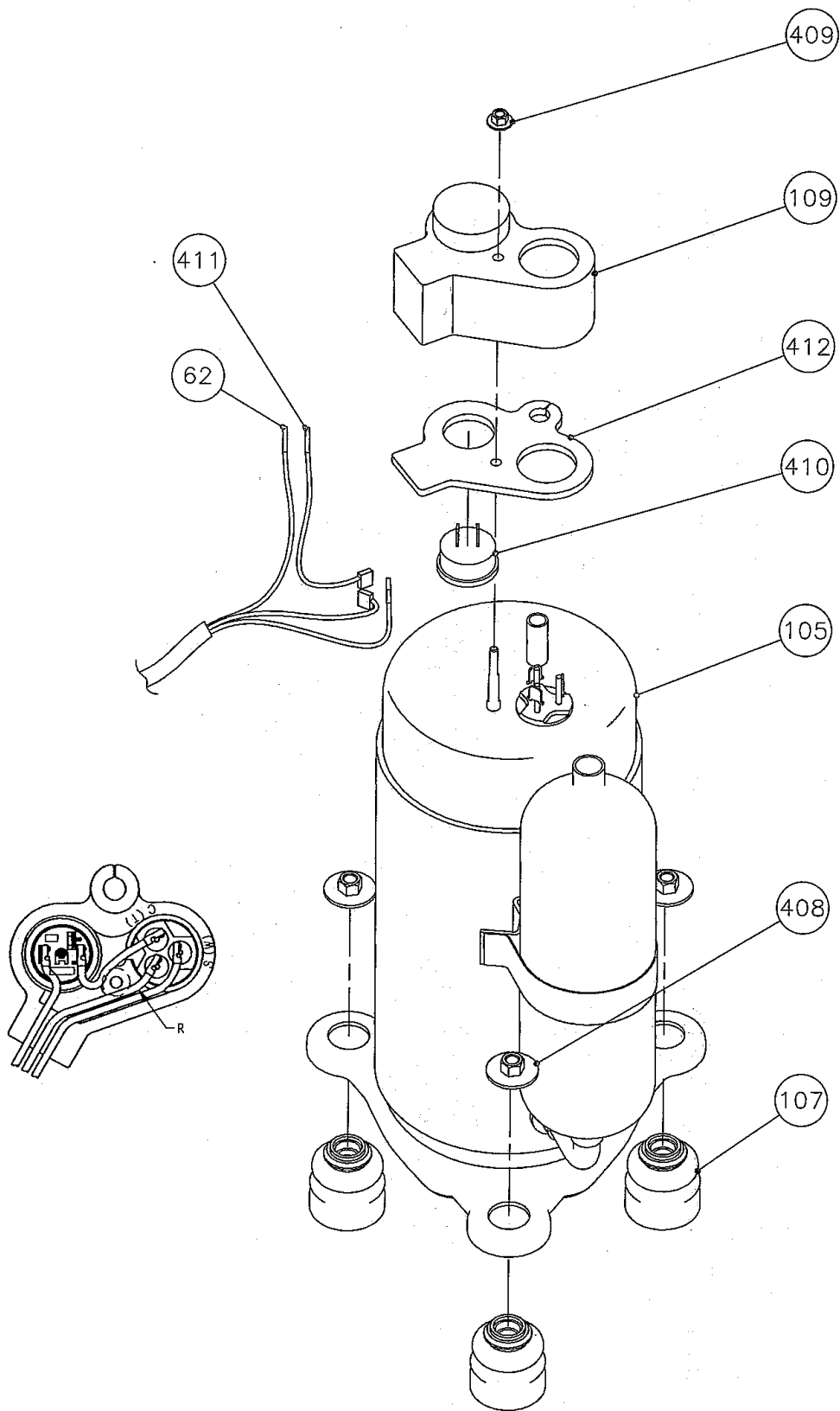


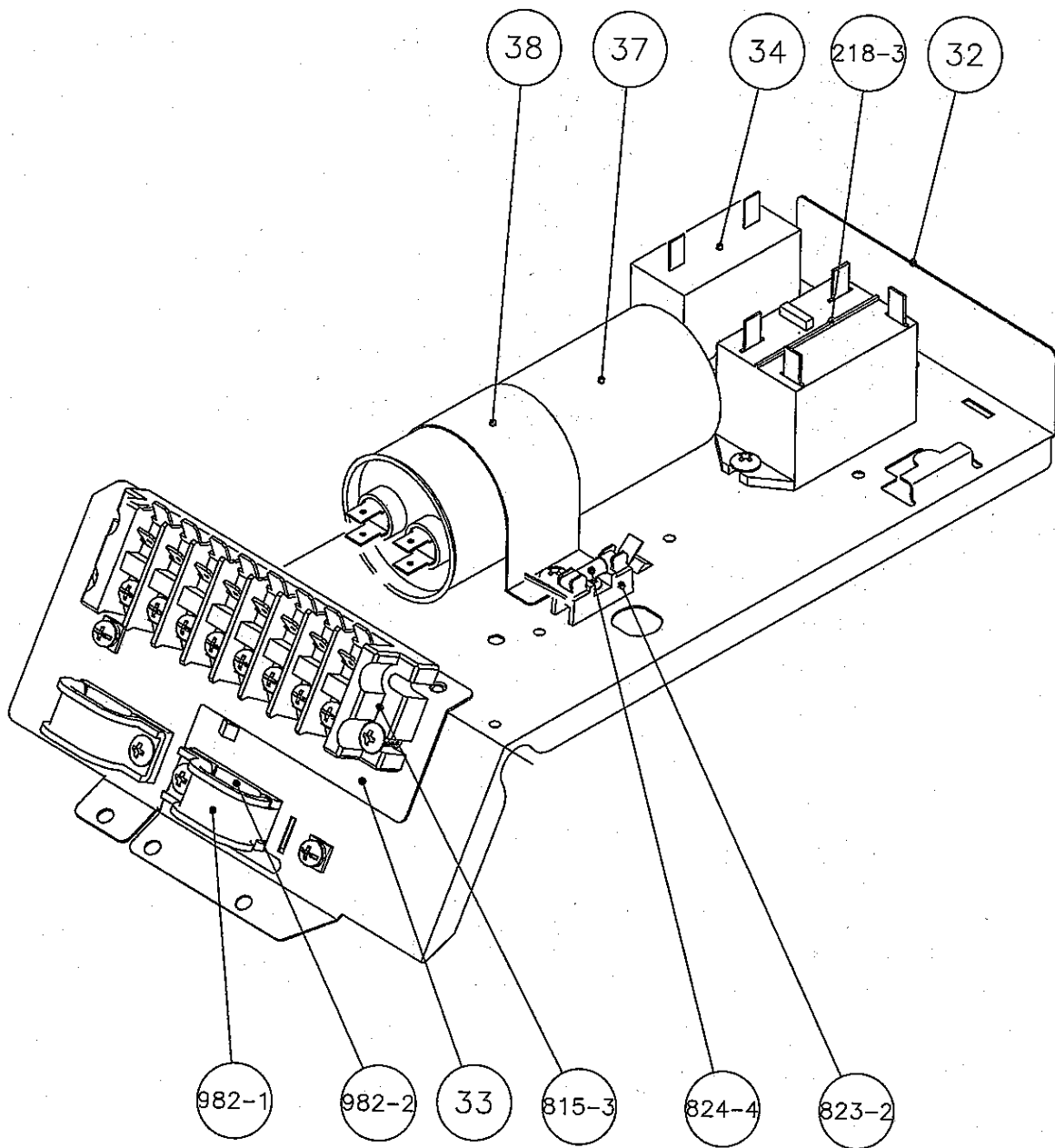


**Model : AOY14USBJ**









# PARTS LIST

## INDOOR UNIT

When you order parts, please make a photocopy of this page and fill the number of the parts in the "Order" column.

Ref. No.	Description	Part No.	Ord. Q'ty	Ref. No.	Description	Part No.	Ord. Q'ty
		AWY14UBBJ				AWY14UBBJ	
8-2	Filter Frame	9367681013		329	Coupling Pipe Assy	9368865009	
12	Base-B	9368216016		338	Motor Holder	9367798001	
32	Control Box	9367663002		385	Indicator PCB Assy	9704368010	
45	Bracket (Eva.) Assy	9369317019		407	Motor Link	9367696000	
62	Fan Motor-Inner	9601385011		407-2	Louver Rod	9367698004	
63	Front Cover Sub Assy (KIT)	9371132013		408	Louver Link	9367697007	
63-1	Service Cover Assy	9368837013		408-1	Louver Link-B	9368789008	
67	Rubber (Motor)	9367676002		425	Earth Plate	9368017002	
69	Louver	9367706013		428	Screw Cover	9367717019	
70-1	Hook (Cover)-L	9367675012		435	Louver Spring	9369030000	
70-2	Hook (Cover)-R	9367674015		514	Control Box Cover	9367664009	
92	Link Arm	9367694006		522-1	Gear-A	9367691005	
93	Filter	9367680016		522-2	Gear-B	9367692002	
108	Base	9367683017		557	Spring (Diffuser)	9368824006	
108-1	Base Assy	not available		574-1	Eva Support-R	9367684007	
108-2	Base-B Sub Assy	9368843014		574-2	Eva. Support-L (KIT)	9371129013	
109	Terminal CVR	9368022006		627	Link	9367693009	
120	Eva. Sub Assy	not available		629	EMI Filter	0400056133	
122	Rub (Bearing) Assy	9368998004		652-1	Thermo. Holder Pipe	313806262805	
127	Drain Hose	9367695003		735	Distributor Assy	9368858001	
146	Evaporator Assy	9371488028		743	Remote Control Holder	9305642014	
158	Joint Pipe Assy	9369224003		759-1	Intake Cover	9367678013	
160	Drain Pan Assy	9368835019		764	Drain Cap	9367677009	
165	Motor Box	9367718009		815	Terminal	9900016012	
169	Cross Fan Assy	9367708000		855	Display-F	9367672011	
172	Pipe Bracket	9367844005		868	PWB Holder (Display)	9371131016	
172-3	Pipe Holder (KIT)	9371135014		875	PCB Assy-Switch	9704370013	
174-1	Fixing Plate	9367987009		945	Wire Holder	9368016005	
184-1	Thermo. Spring-A	313728262708		960	Diffuser Assy	9368840013	
199	Stepping Motor	9900020019		963	Fanguard	9368015008	
230	Diffusion Sheet	9368006013		963-1	Fanguard Holder	9367707003	
234	Thermistor Assy-Room	9703299148		973	Gear Box	9367690008	
235	Thermistor Assy-Pipe	9703297038		998	Bypass Pipe-A	9368857004	
236	Controller PCB Assy	9704360144		999	Bypass Pipe-B	9368917005	
240	Remote Control Unit	9371190013					
253-1	Wire With Connector	9704434012					
253-2	Wire With Connector	9704435019					
253-3	Wire With Connector	9704433015					
320	Upper Flap	9367688012					
321	Lower Flap	9367689019					

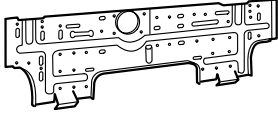
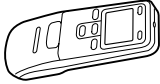
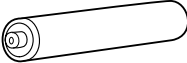
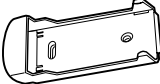


**OUTDOOR UNIT**

When you order parts, please make a photocopy of this page and fill the number of the parts in the "Order" column.

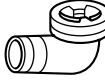

Ref. No.	Description	Part No.	Ord. Q'ty	Ref. No.	Description	Part No.	Ord. Q'ty
		AOY14USBJ				AOY14USBJ	
1	Strainer Assy	9366602019		259	Muffler	9372369029	
2	Fan Cover	9304109006		342	Screw (Solenoid Valve)	9970024016	
3	Discharge Pipe-A	not available		343	Solenoid	9900165017	
4	Emblem-Rear "FUJITSU"	9351355005		344	4-Way Valve	9970036019	
5	Cabinet, Painted	9302936017		373	Grip	313166178700	
7	Connector Cover	9357970004		408	Special Nut	9307615016	
8	Inlet Pipe (cond) Assy	not available		409	Special Nut	313199233602	
9	Cabinet, Rear Panel	9303744017		410	Attachment (Ocr Assy)	9373129011	
12	Base Assy, Painted	9310889077		411	Wire (Compressor-Ocr) A	9357144009	
13	3-Way Valve	9372205105		412	Terminal Gasket	9351921019	
14	2-Way Valve	9372204030		420	Capillary Assy	9372197134	
16	Condenser Assy	9373131014		423	Noise Insulation-F (Comp.)	9350944019	
19	Joint Pipe Value-A	not available		527	Protection Net	9355444002	
22	U-Pipe	not available		734	Cabinet Top Plate	9302937014	
23	Rubber (Discharge Pipe)	313185159802		737	Suction Pipe-A	not available	
32	Control Box Metal-A	9355843003		745	Motor Support	313166036308	
33	Terminal Holder	9373090014		815-3	Terminal-8P	9358660119	
34	Capacitor (Fan Motor)	9704305039		823-2	Fuse Holder	0500063024	
37	Running Capacitor	9704436139		824-4	Fuse	0600222529	
38	Capacitor Clamp Metal	313468061808		826	Condensing Pipe	not available	
39	Propeller Fan Assy	9351589011		982-1	Cord Clamp	9356857009	
41	Fan Motor Assy-Out	9601113096		982-2	Cord Clamp-B	9356858006	
42	Bracket (Motor)	not available					
62	Wire Assy (Shield)-A	9370945089					
98	Fan Ring	313166296109					
105	Compressor Assy	9373010043					
107	Rubber Seat-A	9351813017					
109	Terminal Cover	9351920012					
138	Separate Wall Assy	9303729014					
218-3	Power Relay	9900074012					

# STANDARD ACCESSORIES

## INDOOR UNIT ACCESSORIES

Name and Shape	Part No.
Wall hook bracket 	9367987009
Remote control unit 	9371190013 (AR-JW1)
Battery (penlight) 	0600185534
Remote control unit holder 	9305642014
Tapping screw (big) ( $\phi 4 \times 20$ ) 	301141164200
Tapping screw (small) ( $\phi 3 \times 12$ ) 	301141533125

## OUTDOOR UNIT ACCESSORIES (14,000 BTU model)

Name and Shape	Part No.
Drain pipe 	9303029015 [Heat & cool model (Reverse cycle) only]
Drain cap 	313166024302 [Heat & cool model (Reverse cycle) only]



**Большая библиотека технической документации**  
<https://splitsystema48.ru/instrukcii-po-ekspluatacii-kondicionerov.html>  
**каталоги, инструкции, сервисные мануалы, схемы.**